

Kos.

V.i.P.

by Wiemann



Independent / non HDI
BLANK PRICE LIST
valid until **28.02.2022**



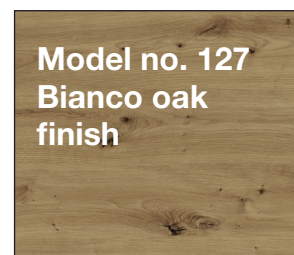
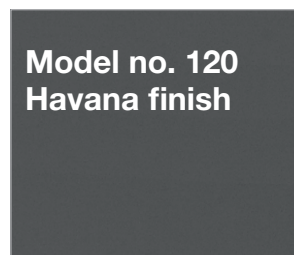
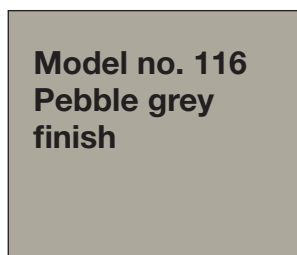
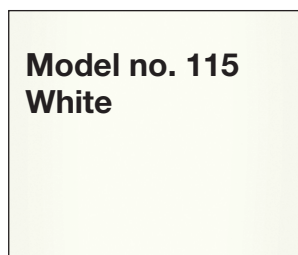
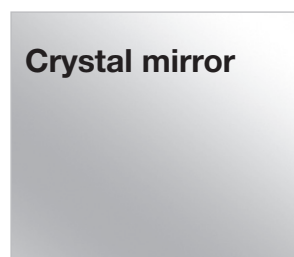
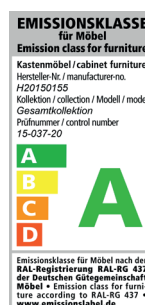
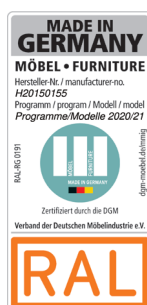
Schadstoff-
geprüft
Emissions-
geprüft

www.tuv.com
ID 0000045390



Kos.**V.i.P.**
by Wiemann**Carcase and front colours**

Please specify the exact colour combination of front and carcase colour for each order!

Designs:**Carcase****Glass fronts****Mirror****Interior colour**

Kos.

V.i.P.
by Wiemann



Independent / non HDI
BLANK PRICE LIST
valid until **28.02.2022**



Schadstoff-
geprüft
Emissions-
geprüft
www.tuv.com
ID 0000045390



Kos.**V.i.P.**
by Wiemann**Carcase width****Sliding door wardrobes**

Width	Side	Plinth	Side	Plinth	Side	Plinth	Side	Plinth	Side			Width effective
200	1,5	96,4	1,5	96,4	1,5							197,3 cm
250	1,5	80,1	1,5	80,1	1,5	80,1	1,5					246,3 cm
280	1,5	96,4	1,5	80,1	1,5	96,4	1,5					278,9 cm
300	1,5	96,4	1,5	96,4	1,5	96,4	1,5					295,2 cm
330	1,5	80,1	1,5	80,1	1,5	80,1	1,5	80,1	1,5			327,9 cm
400	1,5	96,4	1,5	96,4	1,5	96,4	1,5	96,4	1,5			393,1 cm

Important instructions

We reserve the right to color and model deviations or the correction of erroneous information. All measures are approximate cm.

Kos.




Independent / non HDI

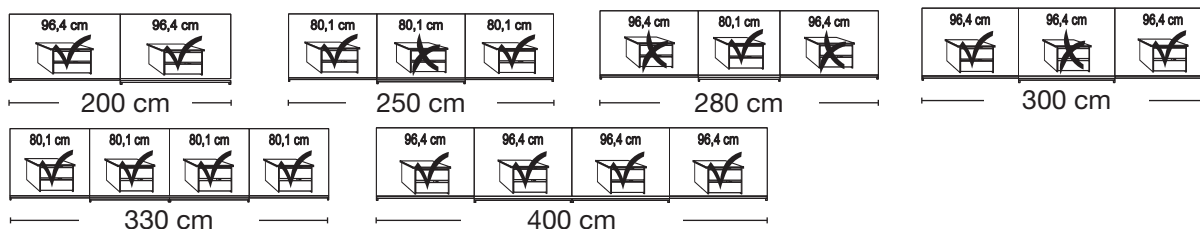
BLANK PRICE LISTvalid until **28.02.2022****V.i.P.**
by Wiemann**Sliding door wardrobes**

Handles in carcase colour

Interior:

2 adjustable shelves, 1 clothes rail

Description	Dimensions cm		Height 217 cm		Height 236 cm	
	W	D	Art. no.	GBP	Art. no.	GBP
Front in glass white						
	2 doors	200	67	528		534
	3 doors	250	67	529		535
	3 doors	280	67	530		536
	3 doors	300	67	531		537
	- with synchronous opening					
	4 doors	330	67	532		538
	4 doors	400	67	533		539

Plinth partition

Kos.


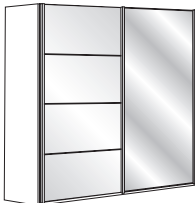
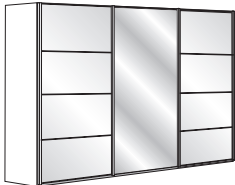
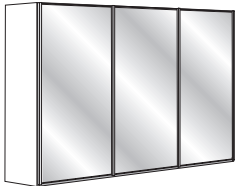
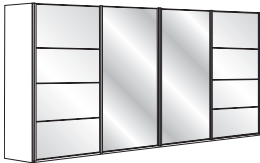
Independent / non HDI

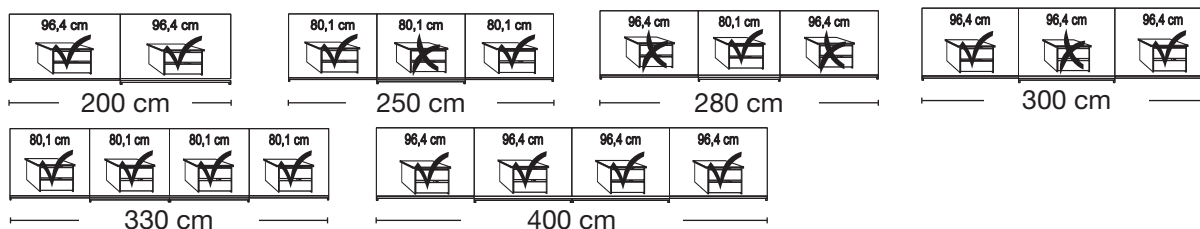
BLANK PRICE LISTvalid until **28.02.2022****V.i.P.**
by Wiemann**Sliding door wardrobes**

Handles in carcase colour

Interior:

2 adjustable shelves, 1 clothes rail

Description	Dimensions cm		Height 217 cm		Height 236 cm	
	W	D	Art. no.	GBP	Art. no.	GBP
Glass doors in white and crystal mirrored doors						
	2 doors	1 mirrored door left	200	67	540	553
	2 doors	1 mirrored door right	200	67	541	554
	2 doors	2 mirrored doors	200	67	542	555
	3 doors	1 centre mirrored door	250	67	543	556
	3 doors	3 mirrored doors	250	67	544	557
	3 doors	1 centre mirrored door	280	67	545	558
	3 doors	3 mirrored doors	280	67	546	559
	3 doors	1 centre mirrored door	300	67	547	560
	3 doors	3 mirrored doors	300	67	548	561
- with synchronous opening						
	4 doors	2 centre mirrored doors	330	67	549	562
	4 doors	4 mirrored doors	330	67	550	563
	4 doors	2 centre mirrored doors	400	67	551	564
	4 doors	4 mirrored doors	400	67	552	565




Plinth partition

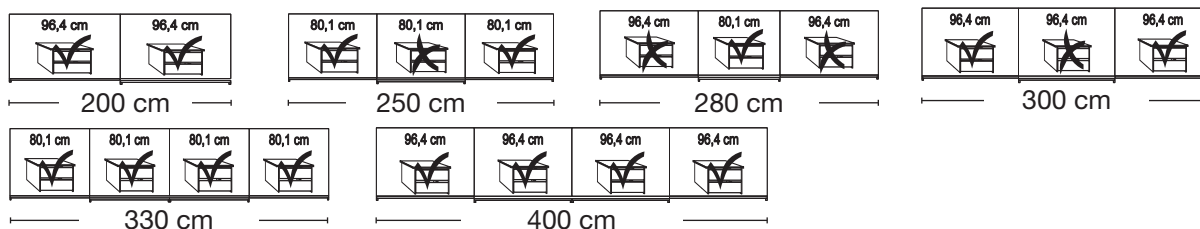
Kos.

Independent / non HDI

BLANK PRICE LISTvalid until **28.02.2022****V.i.P.**
by Wiemann**Sliding door wardrobes**
Handles in carcass colour**Interior:**

2 adjustable shelves, 1 clothes rail

Description	Dimensions cm		Height 217 cm		Height 236 cm	
	W	D	Art. no.	GBP	Art. no.	GBP
Front in glass pebble grey						
	2 doors	200	67	566		572
	3 doors	250	67	567		573
	3 doors	280	67	568		574
	3 doors	300	67	569		575
	- with synchronous opening					
	4 doors	330	67	570		576
	4 doors	400	67	571		577

Plinth partition

Kos.

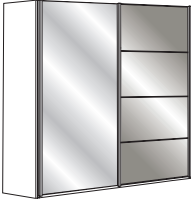


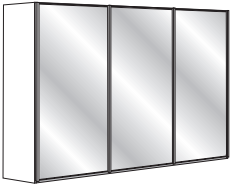
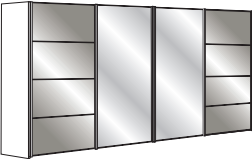
Independent / non HDI

BLANK PRICE LISTvalid until **28.02.2022****V.i.P.**
by Wiemann**Sliding door wardrobes**





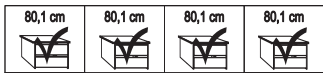
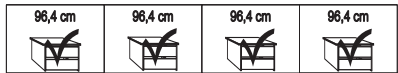
Handles in carcass colour

Interior:

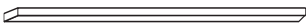
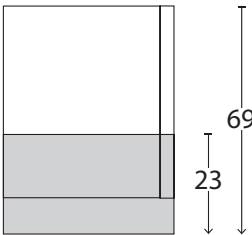

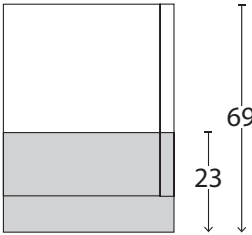
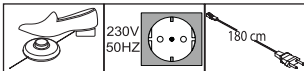

2 adjustable shelves, 1 clothes rail

Description	Dimensions cm		Height 217 cm		Height 236 cm	
	W	D	Art. no.	GBP	Art. no.	GBP
 <p>Glass doors in pebble grey and crystal mirrored doors</p>	2 doors 1 mirrored door left	200	67	578		591
	2 doors 1 mirrored door right	200	67	579		592
	2 doors 2 mirrored doors	200	67	580		593
	3 doors 1 centre mirrored door	250	67	581		594
	3 doors 3 mirrored doors	250	67	582		595
	3 doors 1 centre mirrored door	280	67	583		596
	3 doors 3 mirrored doors	280	67	584		597
	3 doors 1 centre mirrored door	300	67	585		598
	3 doors 3 mirrored doors	300	67	586		599
 <p>- with synchronous opening</p>	4 doors 2 centre mirrored doors	330	67	587		600
	4 doors 4 mirrored doors	330	67	588		601
	4 doors 2 centre mirrored doors	400	67	589		602
	4 doors 4 mirrored doors	400	67	590		603

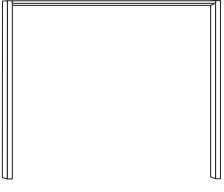
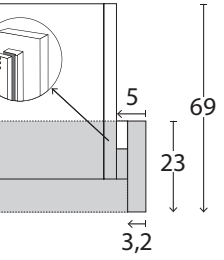
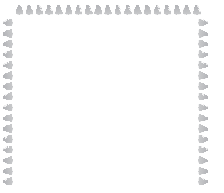
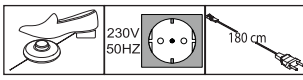

Plinth partition

 <p>96,4 cm 96,4 cm</p> <p>200 cm</p>	 <p>80,1 cm 80,1 cm 80,1 cm</p> <p>250 cm</p>	 <p>96,4 cm 80,1 cm 96,4 cm</p> <p>280 cm</p>	 <p>96,4 cm 96,4 cm 96,4 cm</p> <p>300 cm</p>
 <p>80,1 cm 80,1 cm 80,1 cm 80,1 cm</p> <p>330 cm</p>	 <p>96,4 cm 96,4 cm 96,4 cm 96,4 cm</p> <p>400 cm</p>		


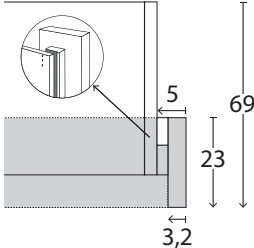
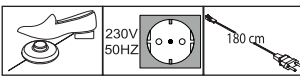

Cornices for sliding-door wardrobes with or without lights

Description	Dimensions cm			Art. no.	GBP
	W	H	D		
 <p>Cornice, without lights</p> <p>- for width 200 cm - for width 250 cm - for width 280 cm - for width 300 cm - for width 330 cm - for width 400 cm</p> <p>Top view wardrobe incl. cornice</p>  <p>Dimensions cm</p>	200	5	23	677	
	250	5	23	678	
	280	5	23	679	
	300	5	23	680	
	330	5	23	681	
	400	5	23	682	
 <p>Cornice, with lights</p> <p>4 lights - for width 200 cm 6 lights - for width 250 cm 6 lights - for width 280 cm 6 lights - for width 300 cm 8 lights - for width 330 cm 8 lights - for width 400 cm</p> <p>Top view wardrobe incl. cornice</p>  <p>Dimensions cm</p> <p>Watt per light: 4,8 Lumen per light: 372 Type of light: LED Efficiency class: A+</p>  <p>This lamp contains LED lights, which cannot get exchanged.</p> 	200	5	23	683	
	250	5	23	684	
	280	5	23	685	
	300	5	23	686	
	330	5	23	687	
	400	5	23	688	

Passe-partout frames for sliding door wardrobes with or without lights

Description	Dimensions		Height 221 cm		Height 240 cm	
	W	D	Art. no.	GBP	Art. no.	GBP
 <p>Passe-partout frame, Width per side profile: 3.2 cm without lights</p> <ul style="list-style-type: none"> - for width 200 cm - for width 250 cm - for width 280 cm - for width 300 cm - for width 330 cm - for width 400 cm <p>Top view wardrobe incl. PPT-Frame</p>  <p>Dimensions cm</p>	210	23	701		710	
	260	23	703		712	
	290	23	704		713	
	310	23	705		714	
	340	23	707		716	
	410	23	708		717	
 <p>Surcharge for circumferential LED illumination (optional):</p> <ul style="list-style-type: none"> - for width 200 cm - for width 250 cm - for width 280 cm - for width 300 cm - for width 330 cm - for width 400 cm <p>Watt per light: Lumen per light: Type of light: Efficiency class:</p>  <p>This lamp contains LED lights, which cannot get exchanged.</p>  <p>Can not get assembled retrospectively!</p>	210	23	738		747	
	260	23	740		749	
	290	23	741		750	
	310	23	742		751	
	340	23	744		753	
	410	23	745		754	


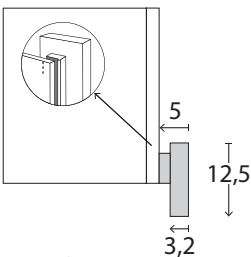

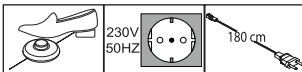

Passe-partout frames for sliding door wardrobes with lights

Description	Dimensions		Height 221 cm		Height 240 cm	
	W	D	Art. no.	GBP	Art. no.	GBP
 <p>Passe-partout frame, Width per side profile: 3.2 cm with lights</p> <p>4 lights - for width 200 cm</p> <p>6 lights - for width 250 cm</p> <p>6 lights - for width 280 cm</p> <p>6 lights - for width 300 cm</p> <p>8 lights - for width 330 cm</p> <p>8 lights - for width 400 cm</p>	210	23	719		728	
	260	23	721		730	
	290	23	722		731	
	310	23	723		732	
	340	23	725		734	
	410	23	726		736	
<p>Top view wardrobe incl. PPT-Frame</p>  <p>Dimensions cm</p> <p>Watt per light: 4,8 Lumen per light: 372 Type of light: LED Efficiency class: A+</p>  <p>This lamp contains LED lights, which cannot get exchanged.</p> 						







Kos.

Independent / non HDI


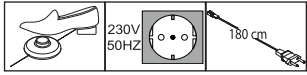


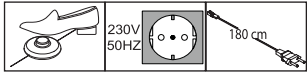


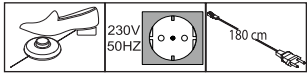


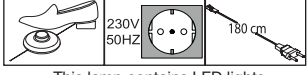


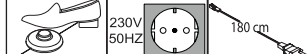
BLANK PRICE LISTvalid until **28.02.2022****V.i.P.**
by Wiemann**Additional elements
for sliding door wardrobes**

Description	Dimensions cm		Height 217 cm		Height 236 cm	
	W	D	Art. no.	GBP	Art. no.	GBP
 <p>Side profiles in carcass colour, pair</p> <p>Top view wardrobe incl. side profiles</p>  <p>Dimensions cm</p>	5	12,5	098		099	
 <p>Lights for side profiles</p> <p>Can not get assembled retrospectively!</p> <p>Useabl for side profiles and PPT-Frame without circumferential lights!</p> <p>Watt per light: 0 Lumen per light: 0 Type of light: EEI LABEL Efficiency class: A++</p>  <p>This lamp contains LED lights, which cannot get exchanged.</p> 	1,5	1	100		101	

Unit accessories

Description	Dimensions cm			Art. no.	GBP
	W	H	D		
 <p>Bumper</p> <p>- for 2-doors wardrobes 1 item</p> <p> Optimal functioning only in combination with self-closing mechanism for outer doors</p> <p>- for 3-4 door wardrobes 2 items</p> <p> Best performance in conjunction with soft closing mechanism!</p>	28	4	2	369	
 <p>Soft-closing mechanism for middle doors</p> <p>*</p> <p>- for 3-door units piece</p> <p>- for 4-door units piece</p> <p> * Please pay attention to clearance between wardrobe and ceiling! To be fitted from top of the wardrobe!</p>	24	2	11	363	
 <p>2-piece set self-closing mechanism with buffering for outer doors, Set for 2-,3- and 4-doors</p> <p>pair</p>	24	2	11	365	

Unit accessories

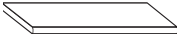
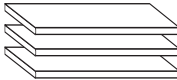
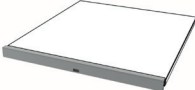

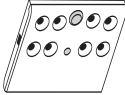
Description	Dimensions cm			Art. no.	GBP
	W	H	D		
 <p>LED Clip-On-Lights, silver</p> <p>Watt per light: 5,5 Lumen per light: 330 Type of light: LED Efficiency class: A+</p> <p>1 item 2 items 3 items</p>  <p>This lamp contains LED lights, which cannot get exchanged.</p>  <p>Only in conjunction with PPT-Frame and cornice!</p>	60	1,5	4,5	980	
	60	1,5	4,5	981	
	60	1,5	4,5	982	
 <p>LED line light, silver</p> <p>Watt per light: 5,5 Lumen per light: 330 Type of light: LED Efficiency class: A+</p> <p>1 item 2 items 3 items</p>  <p>This lamp contains LED lights, which cannot get exchanged.</p> 	60	6	19	983	
	60	6	19	984	
	60	6	19	985	
 <p>LED Clip-On-Lights, black</p> <p>Watt per light: 5,5 Lumen per light: 330 Type of light: LED Efficiency class: A+</p> <p>1 item 2 items 3 items</p>  <p>This lamp contains LED lights, which cannot get exchanged.</p>  <p>Only in conjunction with PPT-Frame and cornice!</p>	60	1,5	4,5	880	
	60	1,5	4,5	881	
	60	1,5	4,5	882	
 <p>LED line light, black</p> <p>Watt per light: 5,5 Lumen per light: 330 Type of light: LED Efficiency class: A+</p> <p>1 item 2 items 3 items</p>  <p>This lamp contains LED lights, which cannot get exchanged.</p> 	60	6	19	883	
	60	6	19	884	
	60	6	19	885	
 <p>LED top light, chrome</p> <p>Watt per light: 1,2 Lumen per light: 93 Type of light: LED Efficiency class: A+</p> <p>1 item 2 items 3 items</p> 	5,5	3	22,5	970	
	5,5	3	22,5	971	
	5,5	3	22,5	972	

Kos.

Independent / non HDI

BLANK PRICE LISTvalid until **28.02.2022****V.i.P.**
by Wiemann**Unit accessories**

Interior finish: silver grey striped

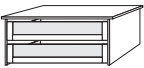
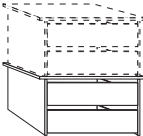
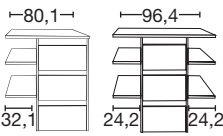
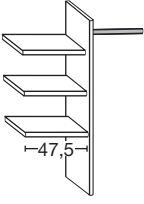

	Description	Dimensions cm			Art. no.	GBP
		W	H	D		
	1 shelf					
	- for compartment width 80.1 cm 1 item	80,1	2,2	51,5	032	
	- for compartment width 96.4 cm 1 item	96,4	2,2	51,5	030	
	3 shelves					
	- for compartment width 80.1 cm 3 items	80,1	2,2	51,5	033	
	- for compartment width 96.4 cm 3 items	96,4	2,2	51,5	031	
	LED Light screen for shelves					
	- for compartment width 80.1 cm piece	80,1	3	1	016	
	- for compartment width 96.4 cm piece	96,4	3	1	011	
	- for compartment width 80.1 cm 2 items	80,1	3	1	017	
	- for compartment width 96.4 cm 2 items	96,4	3	1	013	
	- for compartment width 80.1 cm 3 items	80,1	3	1	018	
	- for compartment width 96.4 cm 3 items	96,4	3	1	015	
<p>Watt per light: 6,7 Lumen: 325 Endurance h: 30000 Type of light: LED Efficiency class: A+</p> <p> This lamp contains LED lights, which cannot get exchanged.</p>						
	LED Wardrobe interior lights with motion detector, incl. rechargeable battery via USB					
	1 item	10	2	10	006	
	2 items	10	2	10	007	
	3 items	10	2	10	008	
	4 items	10	2	10	009	

Kos.

Independent / non HDI

BLANK PRICE LISTvalid until **28.02.2022****V.i.P.**
by Wiemann**Unit accessories**

Interior finish: silver grey striped

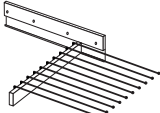
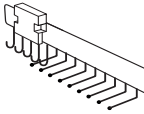
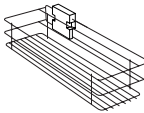
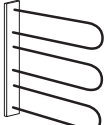
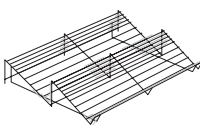
Description	Dimensions cm			Art. no.	GBP
	W	H	D		
 <p>Drawer insert with 2 drawers and glass front</p> <p>- for compartment width 80.1 cm - for compartment width 96.4 cm</p>	80,1 96,4	41 41	52 52	069 070	
 <p>Drawer insert with 2 drawers and wooden front, stackable and height adjustable</p> <p>- for compartment width 80.1 cm - for compartment width 96.4 cm</p>	80,1 96,4	41 41	44 44	072 073	
 <p>Drawer insert with 3 drawers and wooden front</p> <p>Art. no. Art. no. 024 064</p> <p>- for compartment width 80.1 cm - for compartment width 96.4 cm</p>	80,1 96,4	89 89	51,5 51,5	024 064	
 <p>Laundry shelf insert, consisting of:</p> <p>3 adjustable shelves, 1 hanging rail, 1 mid panel</p> <p>- for compartment width 80.1 cm - for compartment width 96.4 cm</p>	80,1 96,4	137 137	51,5 51,5	026 066	
 <p>For use on both sides (left or right)!</p> <p>Only to be placed on base plinth!</p>					

Kos.

Independent / non HDI
BLANK PRICE LIST
 valid until **28.02.2022**

V.i.P.
 by Wiemann

Unit accessories

Description	Dimensions cm			Art. no.	GBP
	W	H	D		
 <p>Trousers holder</p>	45	10	50	056	
 <p>Tie and belt pull-out</p>	7	19	45	059	
 <p>Utensil pull-out</p>	16	9	45	076	
 <p>Tie and belt rack</p>	30	27	9	042	
 <p>Shoe rack for unit compartment W 96.4 cm</p>	96	15	50	094	




Kos.

Independent / non HDI
BLANK PRICE LIST
 valid until **28.02.2022**

V.i.P.
 by Wiemann

Unit accessories

Interior finish: silver grey striped

Description	Dimensions cm			Art. no.	GBP
	W	H	D		
 <p>Clothes lift for compartment width 72.3 - 96.4 cm</p>	100	85	14	081	
 <p>Fold-out interior mirror</p> <p> Not for use in conjunction with LED light screens!</p>	36	173	2	080	

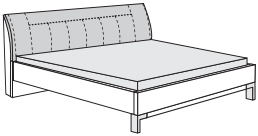
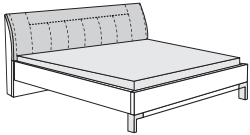
Kos.

Independent / non HDI

BLANK PRICE LISTvalid until **28.02.2022****V.i.P.**
by Wiemann**Futon beds**

Footboard height: 48 cm

4-position height adjustment


Description	Bed surface in cm	Surface in cm	Art. no.	GBP
 <p>Headboard cushion in faux leather white, Angled feet in silver</p> <p>Headboard height: 97 cm Footboard height: 48 cm Height to bed side top edge: 48 cm</p>	<p>140 x 190</p> <p>150 x 200</p> <p>160 x 200</p> <p>180 x 200</p>	<p>149 x 208</p> <p>169 x 218</p> <p>169 x 218</p> <p>189 x 218</p>	<p>472</p> <p>205</p> <p>477</p> <p>485</p>	
 <p>Headboard cushion in faux leather pebble grey, Angled feet in silver</p> <p>Headboard height: 97 cm Footboard height: 48 cm Height to bed side top edge: 48 cm</p>	<p>140 x 190</p> <p>150 x 200</p> <p>160 x 200</p> <p>180 x 200</p>	<p>149 x 208</p> <p>169 x 218</p> <p>169 x 218</p> <p>189 x 218</p>	<p>321</p> <p>206</p> <p>326</p> <p>334</p>	

Kos.

Independent / non HDI
BLANK PRICE LIST
 valid until **28.02.2022**

V.i.P.
 by Wiemann

Additional elements for beds



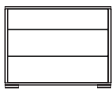

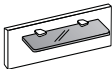
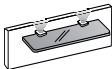

Description	Dimensions cm			Art. no.	GBP
	W	H	D		
 <p>Pair of slatted bases</p> <p>- for bed 140 x 190 cm</p> <p>- for bed 150 x 200 cm</p> <p>- for bed 160 x 200 cm</p> <p>- for bed 180 x 200 cm</p>	140	8	190	106 330	
	150	8	200	106 340	
	160	8	200	106 350	
	180	8	200	106 360	

Kos.

Independent / non HDI
BLANK PRICE LIST
 valid until **28.02.2022**

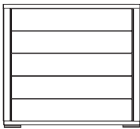
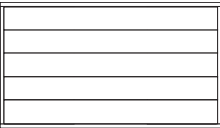
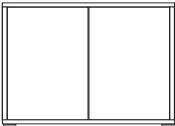
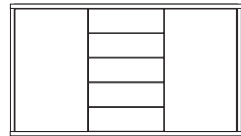
V.i.P.
 by Wiemann

Bedside cabinets, 3 drawers

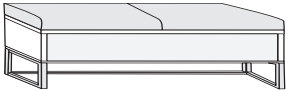
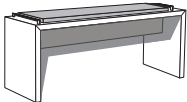



	Description	Dimensions cm			Art. no.	GBP	
		W	H	D			
  Height 48 cm	Bedside cabinet, 3 drawers						
	- Drawers glass white	piece	40	48	43	267	
		pair	40	48	43	268	
		piece	60	48	43	269	
		pair	60	48	43	270	
	- Drawers glass pebble grey	piece	40	48	43	271	
		pair	40	48	43	272	
		piece	60	48	43	273	
		pair	60	48	43	274	
	  Height 64 cm	- Drawers glass white	piece	40	64	43	275
		pair	40	64	43	276	
		piece	60	64	43	277	
		pair	60	64	43	278	
- Drawers glass pebble grey		piece	40	64	43	279	
		pair	40	64	43	280	
		piece	60	64	43	281	
		pair	60	64	43	282	
		Beside cabinet panel, with smoked glass shelf					
			piece	40	20	12	300
		pair	40	20	12	301	
		piece	60	20	12	302	
		pair	60	20	12	303	
	 Watt per light: 1,8 Lumen: 80 Endurance h: 30000 Type of light: LED Efficiency class: A+  This lamp contains LED lights, which cannot get exchanged.	Bedside cabinet panel with smoked glass shelf and LED-lights					
		piece	40	20	12	112	
		pair	40	20	12	113	
		piece	60	20	12	114	
		pair	60	20	12	115	

Chests of drawers, 86 cm high

incl. sliding feet

	Description	Dimensions cm			Art. no.	GBP
		W	H	D		
	Chest of drawers with 5 drawers					
	- Front glass white	60	86	43	871	
	- Front glass pebble grey	60	86	43	872	
	- Front glass white - Front glass pebble grey	80 80	86 86	43 43	869 870	
	- Front glass white	141	86	43	873	
	- Front glass pebble grey	141	86	43	874	
	Dresser, 2 doors, with one full-width shelf					
	- Front glass white - Front glass pebble grey	80 80	86 86	43 43	909 911	
	Combi dresser with 5 drawers and 2 doors					
	- Front glass white - Front glass pebble grey	141 141	86 86	43 43	920 921	

Occasional furniture

Description	Dimensions cm			Art. no.	GBP
	W	H	D		
 <p>Dressing bench on angled feet in silver and one drawer with upholstered cushion</p> <p>in faux leather white</p> <ul style="list-style-type: none"> - Front glass white - Front glass pebble grey <p>in faux leather pebble grey</p> <ul style="list-style-type: none"> - Front glass white - Front glass pebble grey 	141 141	50 50	43 43	157 089	
 <p>Dressing bench with upholstered faux leather cushion</p> <ul style="list-style-type: none"> - with faux leather white - with faux leather pebble grey <p> Not available in havana finish!</p>	120 120	53 53	40 40	176 111	
 <p>Wall mirror, lateral or vertical mounting</p>	110	85	3	086	
 <p>Wall mirror</p>	60	80	3	087	